

APPLICATIONS

- Liquid & gaseous mediums
- Corrosive environments
- Oil & Gas applications
- Chemical & Petrochemical
- Food & Beverages
- Nuclear power plants

FEATURES

- Turret design
- Standards followed ASME B40.100
- Accuracy as per Grade 2A / $\pm 0.5\%$
- Dry / Fillable / Liquid filled

DESCRIPTION

General

Design : ASME B40.100

Accuracy : Grade 2A ($\pm 0.5\%$ of full scale)

Ambient temperature : -40... +65°C [without dampening liquid]
-40... +65°C [with dampening liquid filled silicon oil]

Service temperature : 300°C max.

Pressure limits : Steady pressure up to FS value
Fluctuating pressure up to 90% of FS value
Short time 130% of FS value for range up to 1500 psi
Short time 115% of FS value for range above 1500 psi

Weld joints : TIG argon arc welding

Material of construction

Sensing element : Bourdon Tube
[<100 bar : C - type , >100 bar : Helical]

Case & Ring material : Phenolic resin [Screwed type]

Bourdon tube & Shank : AISI 316L SS / Monel

Movement mechanism : AISI 304 SS

Dial : Aluminum, black graduation on white background

Pointer : Micro-zero adjustable, aluminum, black powder coated

Gaskets & filling plug : Neoprene / NBR

Blow off disc : Phenolic resin

Window : Shatterproof safety glass



PHENOLIC SOLID FRONT SAFETY PATTERN
PRESSURE GAUGE, M129

Standard version

Dial size : 4.5"

Range : -15 - 0 - 23,200 psi

Mounting pattern : Direct Bottom

Process connection : 1/4" NPT (M) / 1/2" NPT (M)

Ingress protection : IP 65

Execution : Dry / Dry but fillable

Filled versions

Accuracy : Grade A ($\pm 1.0\%$ of full scale)

Glycerin

Dampening liquid : Glycerin 99.7% / 80% / 60%
[Service temperature -20°C up to 65°C]

Silicon Oil

Gasket & filling plug : NBR / Viton

Dampening liquid : Silicon oil DC 200
[Service temperature -40°C up to 150°C]

Temperature effect

When temperature of the measuring system deviates from reference temperature (+20):
max $\pm 0.4\%$ / 10K of full scale value.

Magwell LLC

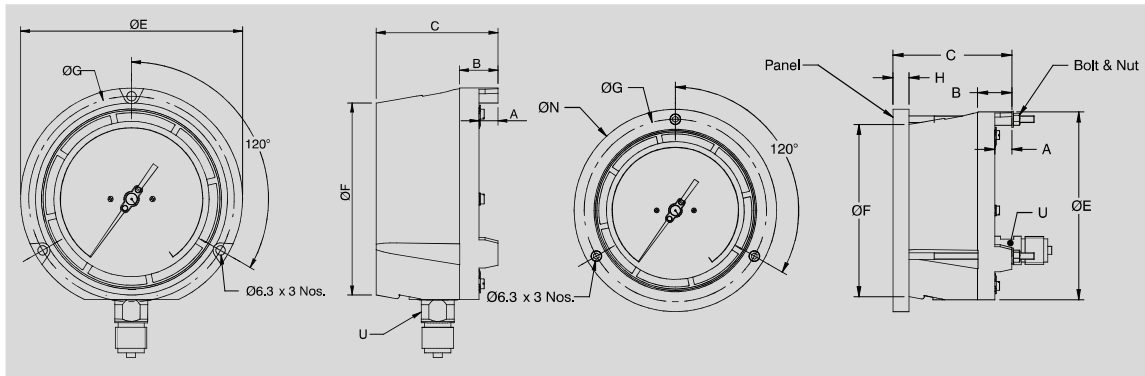
537 Cajundome Boulevard, Suite 111

Lafayette LA 70506, USA

info@magwellus.com

(888) 624-9355

DIMENSIONAL DRAWING



NS	A	B	C	ØE	ØF	G	H	ØN	U
115	12.5	26	82	149	129	137	12	152	A/F-17

NOTES

- Drawing not to scale. All dimensions are in mm.
- For other mounting details, Panel cut-out dimensions, kindly contact factory.

DIAL SIZE

115 4.5" / 114.3 mm

115

MODEL

M129 Phenolic Solid Front Safety Pattern Pressure Gauge

M129

MOUNTING

BT Direct bottom, with wall mounting spacers integrated to the case

BT

CONNECTION

2MN	¼" NPT (M)	3MN	3/8" NPT (M)	4MN	½" NPT (M)
2MB	¼" BSP (M)	3MB	3/8" BSP (M)	4MB	½" BSP (M)

4MN

CASE FILLING

D	Dry	G	Glycerin filled	S	Silicon oil filled
----------	-----	----------	-----------------	----------	--------------------

G

WETTED PARTS

SL	AISI 316L SS	MO	MONEL
-----------	--------------	-----------	-------

SL

RANGE

0-10 bar Please mention range required with the measurement unit
[Magwell offer in all types of National & International measurement units, e.g. kg/cm², psi, kPa, etc. with single or dual scales]

0-10 bar

OPTIONAL EXTRAS

CM	AISI 316 SS movement	OS	Internal overload stop	VS	Internal Vacuum stop
OP	Over range protection 1.5xFS	DM	Dampened movement	MR	Maximum Reading pointer
CC	5 - point calibration certificate	FF	Front flange	RG	Receiver gauge
OC	Cleaned for Oxygen service	MT	Material test certificate 3.1	NC	Tested to NACE standards
DS	Dual scale marking	TP	AISI 316 SS tag plate		

CC=TP

Ordering Example : 115=M129=BT=4MN=G=SL=0-10 bar=CC=TP

Rev 00

© 2022 MAGWELL. All rights reserved. The technical details & specifications are provided as such at the time of printing. Technical changes and omissions may happen later.